



SSJW42

Industry Standards

UL 870
NEMA Type 4X & 12
Fittings pending 4X

UL Files E32576

CSA File LL66078

FEATURES-SPECIFICATIONS
Applications

Designed to protect electrical wiring in areas where corrosion problems exist.

A complete selection of sections and fittings is offered in two sizes:

4.00" x 4.00" (102 x 102)

6.00" x 6.00" (152 x 152)

Construction

- Bodies and covers are fabricated from 14 gauge 304 stainless steel
- Flange ends are fabricated from 10 gauge 304 stainless steel
- Features hinged top for easy wiring
- Continuously welded seams ground smooth, no holes or knockouts
- Smooth rounded edges on all sections and fittings prevent damage to insulation
- Closed cell oil resistant neoprene gasket
- Heavy butt hinges and external stainless steel screw clamps to insure a complete seal between covers and bodies
- Screw clamps are quick and easy to operate, with no loose parts
- Solid oil-resistant gasket is furnished to provide complete seal at each joint
- All necessary gaskets, nuts and bolts furnished for efficient assembly

Finish

- Exterior body and cover has smooth grained finish

SSJW SERIES STAINLESS FEED-THROUGH WIREWAY & FITTINGS

CATALOG NUMBER		DESCRIPTION
4.00 X 4.00 (102 X 102)	6.00 X 6.00 (152 X 152)	
SSJW41	SSJW61	12.00" (205) Straight section
SSJW42	SSJW62	24.00" (610) Straight section
SSJW43	SSJW63	36.00" (914) Straight section
SSJW44	SSJW64	48.00" (1219) Straight section
SSJW45	SSJW65	60.00" (1524) Straight section
SSJW410	SSJW610	120.00" (3048) Straight section
SSJWS4	SSJWS6	Telescope (not UL listed)
SSJWL904	SSJWL906	90° Elbow (1 set of gaskets and screws included)
SSJWL454	SSJWL456	45° Elbow (1 set of gaskets and screws included)
SSJWT4	SSJWT6	Tee-top (2 sets of gaskets and screws included)
SSJWE4	SSJWE6	End plate (1 set of gaskets and screws included)
SSJWA4	SSJWA6	Box adaptor (1 set of gaskets and screws included)
—	SSJWRB64E	Reducer bushing 6.00" (152) to 4.00" (102) edge*
—	SSJWRB64C	Reducer bushing 6.00" (152) to 4.00" (10) center*
SSJWN446	SSJWN666	6.00" straight nipple fitting
SSJWFF4	SSJWFF6	Flexible fitting**
SSJWBH4	SSJWBH6	Bracket hanger

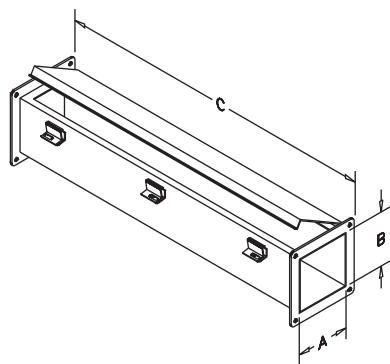
* All reducer bushings included gaskets and screws.

** Minimum length 3", maximum length 8".

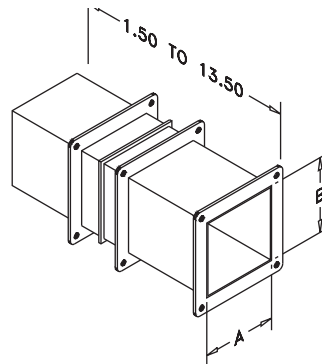


SSJW SERIES WIREWAY & FITTINGS DIMENSIONS													
A X B	C - LENGTH						D	E	F	G	H	J	K
4.00x4.00 (102x102)	12.00 (305)	24.00 (610)	36.00 (914)	48.00 (1219)	60.00 (1524)	120.00 (3048)	5.38 (137)	5.38 (137)	7.00 (178)	10.00 (254)	3.25 (83)	2.44 (62)	5.00 (127)
6.00x6.00 (152x152)	12.00 (305)	24.00 (610)	36.00 (914)	48.00 (1219)	60.00 (1524)	120.00 (3048)	7.63 (194)	7.63 (194)	9.00 (229)	12.00 (305)	4.25 (108)	3.00 (76)	6.00 (152)

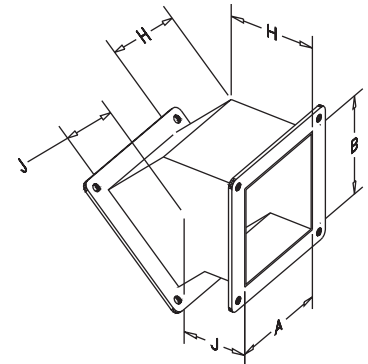
Note: Fittings pending 4X.



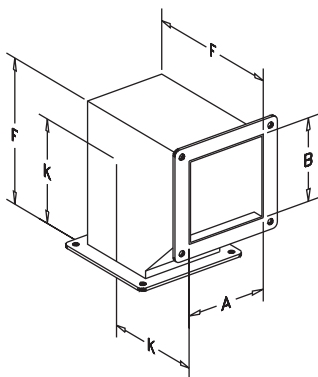
Straight Section



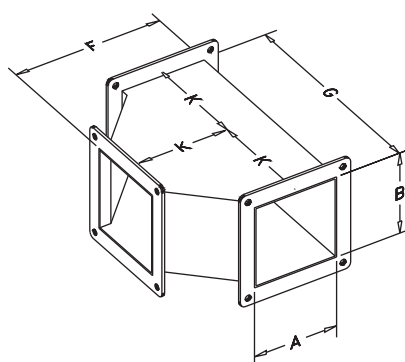
Telescope Fitting



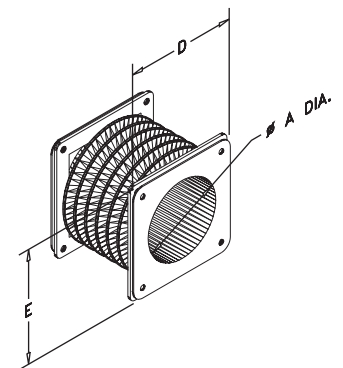
45° Elbow



90° Elbow



Tee



Flexible Fitting